

1260 VXI SWITCHING CARD

1260-155 HIGH FREQUENCY PLUG-IN

PUBLICATION NO. 980824-155

RACAL INSTRUMENTS

United States

(Corporate Headquarters and Service Center)
4 Goodyear Street, Irvine, CA 92618
Tel: (800) 722-2528, (949) 859-8999; Fax: (949) 859-7139

5730 Northwest Parkway Suite 700, San Antonio, TX 78249
Tel: (210) 699-6799; Fax: (210) 699-8857

Europe

(European Headquarters and Service Center)
18 Avenue Dutartre, 78150 LeChesnay, France
Tel: +33 (0)1 39 23 22 22; Fax: +33 (0)1 39 23 22 25

29-31 Cobham Road, Wimborne, Dorset BH21 7PF, United Kingdom
Tel: +44 (0) 1202 872800; Fax: +44 (0) 1202 870810

Via Milazzo 25, 20092 Cinisello B, Milan, Italy
Tel: +39 (0)2 6123 901; Fax: +39 (0)2 6129 3606

Technologie Park, Friedrich Ebert Strasse, 51429 Bergisch Gladbach, Germany
Tel: +49 (0) 2204 844200; Fax: +49 (0) 2204 844219

info@racalinstruments.com
sales@racalinstruments.com
helpdesk@racalinstruments.com
<http://www.racalinstruments.com/>



PUBLICATION DATE September 2, 2003

Copyright 2003 by Racal Instruments, Inc. Printed in the United States of America. All rights reserved.
This book or parts thereof may not be reproduced in any form without written permission of the publisher.

THANK YOU FOR PURCHASING THIS RACAL INSTRUMENTS PRODUCT.

For this product, or any other Racal Instruments product that incorporates software drivers, you may access our web site to verify and/or download the latest driver versions. The web address for driver downloads is:

<http://www.racalinstruments.com/downloads>

You will be asked to register one time only to gain access to the driver and product manual downloads sections. At registration a cookie will be placed on your computer if you choose to accept it. This is done to facilitate your use of these sections on future visits. You may refuse to accept the cookie and still have complete access to the software driver database but will have to re-register every time you visit. This cookie is for ease of use only and no information is gathered for, sold, or reported to, any third party organization.

If you have any questions about software driver downloads or our privacy policy, please contact us at info@racalinstruments.com.

WARRANTY STATEMENT

All Racal Instruments, Inc. products are designed and manufactured to exacting standards and in full conformance to Racal's ISO 9001 procedures.

This warranty does not apply to defects resulting from any modification(s) of any product or part without Racal's express written consent, or misuse of any product or part. The warranty also does not apply to fuses, software, non-rechargeable batteries, damage from battery leakage, or problems arising from normal wear, such as mechanical relay life, or failure to follow instructions.

This warranty is in lieu of all other warranties, expressed or implied, including any implied warranty of merchantability or fitness for a particular use. The remedies provided herein are buyer's sole and exclusive remedies.

For the specific terms of your standard warranty, or optional extended warranty or service agreement, contact your Racal customer service advisor. Please have the following information available to facilitate service.

1. Product serial number
2. Product model number
3. Your company and contact information

You may contact your customer service advisor by:

E-Mail:	Helpdesk@racalinstruments.com	
Telephone:	+1 800 722 3262	(USA)
	+44(0) 8706 080134	(UK)
	+852 2405 5500	(Hong Kong)
Fax:	+1 949 859 7309	(USA)
	+44(0) 1628 662017	(UK)
	+852 2416 4335	(Hong Kong)

RETURN of PRODUCT

Authorization is required from Racal Instruments before you send us your product for service or calibration. Call your nearest Racal Instruments support facility. A list is located on the last page of this manual. If you are unsure where to call, contact Racal Instruments, Inc. Customer Support Department in Irvine, California, USA at 1-800-722-3262 or 1-949-859-8999 or via fax at 1-949-859-7139. We can be reached at: helpdesk@racalinstruments.com.

PROPRIETARY NOTICE

This document and the technical data herein disclosed, are proprietary to Racal Instruments, and shall not, without express written permission of Racal Instruments, be used, in whole or in part to solicit quotations from a competitive source or used for manufacture by anyone other than Racal Instruments. The information herein has been developed at private expense, and may only be used for operation and maintenance reference purposes or for purposes of engineering evaluation and incorporation into technical specifications and other documents which specify procurement of products from Racal Instruments.

DISCLAIMER

Buyer acknowledges and agrees that it is responsible for the operation of the goods purchased and should ensure that they are used properly and in accordance with this handbook and any other instructions provided by Seller. RII products are not specifically designed, manufactured or intended to be used as parts, assemblies or components in planning, construction, maintenance or operation of a nuclear facility, or in life support or safety critical applications in which the failure of the RII product could create a situation where personal injury or death could occur. Should Buyer purchase RII product for such unintended application, Buyer shall indemnify and hold RII, its officers, employees, subsidiaries, affiliates and distributors harmless against all claims arising out of a claim for personal injury or death associated with such unintended use.

FOR YOUR SAFETY

Before undertaking any troubleshooting, maintenance or exploratory procedure, read carefully the **WARNINGS** and **CAUTION** notices.



CAUTION
RISK OF ELECTRICAL SHOCK
DO NOT OPEN



This equipment contains voltage hazardous to human life and safety, and is capable of inflicting personal injury.



If this instrument is to be powered from the AC line (mains) through an autotransformer, ensure the common connector is connected to the neutral (earth pole) of the power supply.



Before operating the unit, ensure the conductor (green wire) is connected to the ground (earth) conductor of the power outlet. Do not use a two-conductor extension cord or a three-prong/two-prong adapter. This will defeat the protective feature of the third conductor in the power cord.



Maintenance and calibration procedures sometimes call for operation of the unit with power applied and protective covers removed. Read the procedures and heed warnings to avoid “live” circuit points.

Before operating this instrument:

1. Ensure the proper fuse is in place for the power source to operate.
2. Ensure all other devices connected to or in proximity to this instrument are properly grounded or connected to the protective third-wire earth ground.

If the instrument:

- fails to operate satisfactorily
- shows visible damage
- has been stored under unfavorable conditions
- has sustained stress

Do not operate until, performance is checked by qualified personnel.

Racal Instruments

EC Declaration of Conformity

We

Racal Instruments Inc.
4 Goodyear Street
Irvine, CA 92718

declare under sole responsibility that the

1260-155 Dual 1x4 RF Switching Mux
P/N 407815-001, -002, -003,-004

They conform to the following Product Specifications:

Safety: EN61010-1:1993+A2:1995

EMC: EN61326:1997+A1:1998, Class A

Supplementary Information:

The above specifications are met when the product is installed in a Racal Instruments certified mainframe with faceplates installed over all unused slots, as applicable

The product herewith complies with the requirements of the Low Voltage Directive 73/23/EEC and the EMC Directive 89/336/EEC (modified by 93/68/EEC).

Irvine, CA, July 31, 2003


Karen L Evensen
Engineering Director

This page was left intentionally blank.

Table of Contents

Chapter 1	1-1
SPECIFICATIONS	1-1
Introduction	1-1
Specifications	1-2
Power Dissipation.....	1-4
About MTBF	1-5
Ordering Information	1-6
Chapter 2	2-1
INSTALLATION INSTRUCTIONS	2-1
Unpacking and Inspection	2-1
Reshipment Instructions	2-1
Installation	2-2
Module Configurations.....	2-2
Front Panel Cable Clamp and PCB Connectors.....	2-2
Mating Connectors.....	2-6
Chapter 3	3-1
MODULE OPERATION	3-1
Setting the Module Address	3-1
1256 Operation.....	3-1
VXI Operating Modes	3-1

Operating In VXI Message-Based Mode 3-3

 Channel Descriptors For The 1260-155 3-3

 Reply To The MOD:LIST? Command 3-4

Operating in VXI Register-Based Mode 3-5

Chapter 4 4-1

PRODUCT SUPPORT 4-1

 Product Support 4-1

 Reshipment Instructions 4-1

 Support Offices 4-2

List of Figures

Figure 1-1, 1260-1551-1

Figure 2-1, 1260-155 and 1260-155A Relay Diagram.....2-3

Figure 2-2, 1260-155T and 1260-155AT Relay Diagram2-4

Figure 2-3, 1260-155 and 1260-155A Channel Designations2-4

Figure 2-4, 1260-155T and 1260-155AT Channel Designations2-4

Figure 2-5, Block Diagram.....2-5

Figure 2-6, Front Panel Cable Clamp.....2-6

Figure 3-1, Message-Based Mode of Operation.....3-2

Figure 3-2, Register-Based Mode of Operation.....3-2

List of Tables

Table 2-1, 1260-155 I/O Connections2-5

Table 3-1, Control Register/Relay Assignments.....3-6

This page was left intentionally blank.

Chapter 1

SPECIFICATIONS

Introduction

The 1260-155 is a plug-in switch module developed for the Racal Instruments 1260-100 Adapt-a-Switch Carrier and the 1256 Switch Controller. The 1260-155 includes the following features:

- Standard plug-in design, providing for ease of replacement.
- Data-Driven embedded descriptor, allowing immediate use with any Option-01T or 1256 switch controller, regardless of firmware revision level.
- Dual 1x4 RF Multiplexers.
- 1.5 GHz and 3.0 GHz Bandwidth versions.
- Terminated and unterminated versions.
- 75 Ω impedance and 1x8 multiplexer configurations available (contact factory).
- Low VSWR 1.5 GHz versions available (contact factory).



Figure 1-1, 1260-155

Specifications

Characteristic Impedance
50 Ω

Bandwidth (-3dB)

1260-155/155T > 1.5GHz
1260-155A/155AT > 3.0GHz

Insertion Loss

1260-155 \leq 0.4 dB to .5GHz
 \leq 0.6 dB to 1.0GHz
 \leq 0.8 dB to 1.5GHz

1260-155T \leq 0.6 dB to .5GHz
 \leq 0.8 dB to 1.0GHz
 \leq 1.2 dB to 1.5GHz

1260-155A \leq 0.5 dB to 1.0GHz
 \leq 0.75 dB to 2.0GHz
 \leq 1.25 dB to 3.0GHz

1260-155AT \leq 0.75 dB to 1.0GHz
 \leq 1.25 dB to 2.0GHz
 \leq 1.75 dB to 3.0GHz

Isolation

1260-155 \geq 70 dB to 1.0 GHz
 \geq 50 dB to 1.5 GHz

1260-155T \geq 55 dB to 1.0 GHz
 \geq 50 dB to 1.5 GHz

1260-155A \geq 70 dB to 1.0 GHz
 \geq 50 dB to 3.0 GHz

1260-155AT \geq 70 dB to 1.0 GHz
 \geq 45 dB to 3.0 GHz

Crosstalk

1260-155 \geq 80 dB to 1.0 GHz

1260-155T \geq 75 dB to 1.0 GHz

1260-155A \geq 80 dB to 1.0 GHz

1260-155AT \geq 80 dB to 1.0 GHz

VSWR	
1260-155	≤ 1.2 dB to .1GHz ≤ 1.5 dB to .5GHz ≤ 1.6 dB to 1.5GHz
1260-155T	≤ 1.2 dB to .1GHz ≤ 1.6 dB to .5GHz ≤ 1.7 dB to 1.5GHz
1260-155A	≤ 1.2 dB to 1.0GHz ≤ 1.3 dB to 2.0GHz ≤ 1.5 dB to 3.0GHz
1260-155AT	≤ 1.2 dB to 1.0GHz ≤ 1.3 dB to 2.0GHz ≤ 1.5 dB to 3.0GHz
Maximum Switching Voltage	
1260-155/155A	30 VDC or VAC peak
1260-155T/155AT	6 VDC or VAC RMS (with standard 1W terminators)
Max Switching Current	
0.50 ADC or RMS	
Max Switching Power	
1260-155/155A	≤ 10 VA, 10W
1260-155T/155AT	≤ 1.0 W at 25°C derate linearly to 0.5 W at 55°C
Initial Path Resistance	$\leq 250\text{m}\Omega$
Capacitance	
Channel-Ground	≤ 15 pF
Open-Channel	≤ 1.0 pF
Insulation resistance	$\geq 10^9 \Omega$
Relay Settling Time	≤ 10 ms
Shock	30g, 11 ms, $\frac{1}{2}$ sine wave
Vibration	0.013 in. P _k -P _k , 5-55 Hz
Bench Handling	4 in., 45°
Cooling	See 1260-100 cooling data
Temperature	
Operating	0°C to +55°C

Non-operating	-40°C to +60°C	
Relative Humidity	85% ± 5% non-condensing at < 35°C	
Altitude		
Operating	10,000 feet	
Non-operating	15,000 feet	
Power Requirements		
+5 VDC	≤300mA + 44mA per energized relay (0.8 Max.)	
Weight	1260-155/155A	5.5 oz (.16Kg)
	1260-155T/155AT	8.5 oz (.24Kg)
MTBF	>300,000 hours (MIL-HDBK-217E)	
Dimensions	4.5"H X 0.75"W X 9.5"D	

Power Dissipation

While the cooling of the Adapt-a-Switch carrier is dependent upon the chassis into which it is installed, the carrier can normally dissipate approximately 100 W. Care must be taken, then, in the selection and loading of the plug-in modules used in the carrier. It is not possible to fully load the carrier, energize every relay, and run full power through every set of contacts, all at the same time. In practice this situation would never occur.

To properly evaluate the power dissipation of the plug-in modules, examine the path resistance, the current passing through the relay contacts, the ambient temperature, and the number of relays closed at any one time.

For example, if a 1260-155T module (containing 14 relays) has all relays closed, passing a current of 0.5A, then:

$$\text{Total power dissipation} = [(\text{current})^2 * (\text{path resistance}) * (\text{total number of paths})] + (\text{quiescent power}) + (\text{total termination power})$$

By substituting the actual values:

$$\text{Total power dissipation} = [(0.5 \text{ A})^2 * (.25 \Omega) * 2] + (4 \text{ W}) + (7 \text{ W}) = 11.12 \text{ W at } 55^\circ\text{C}$$

This is acceptable power dissipation for an individual plug-in module. If five additional modules are likewise loaded, then the overall carrier dissipation is approximately 66 W, which is well within the cooling available in any commercial VXIbus chassis. In practice, rarely are more than 25% of the module's relays energized simultaneously, and rarely is full rated current run

through every path. In addition, the actual contact resistance is typically one-half to one-fourth the specified maximum, and temperatures are normally not at the rated maximum. The power dissipated by each plug-in should be no more than 15 W if all six slots are used simultaneously. Consult the Power Dissipation Section of any other 1260 Adapt-a-Switch card manuals for additional information.

Most users of a signal-type switch, such as the 1260-155, switch no more than a few hundred milliamperes and are able to energize all relays simultaneously, should they so desire.

Additionally, if fewer plug-in modules are used, more power may be dissipated by the remaining cards. By using a chassis with high cooling capacity, such as the Racal Instruments 1261B, almost any configuration may be realized.

About MTBF

The 1260-155 MTBF is >300,000 hours, calculated in accordance with MIL-HDBK-217E, with the exception of the electromechanical relays. Relays are excluded from this calculation because relay life is strongly dependent upon operating conditions. Factors affecting relay life expectancy are:

1. Switched voltage
2. Switched current
3. Switched power
4. Maximum switching capacity
5. Maximum rated carrying current
6. Load type (resistive, inductive, capacitive)
7. Switching repetition rate
8. Ambient temperature

The most important factor is the maximum switching capacity, which is an interrelationship of maximum switching power, maximum switching voltage and maximum switching current. When a relay operates at a lower percentage of its maximum switching capacity, its life expectancy is longer. The maximum switching capacity specification is based on a resistive load, and must be further de-rated for inductive and capacitive loads.

For more details about the above life expectancy factors, refer to the data sheet for the switch plug-in module.

The relay used on the 1260-155 and 1260-155T plug-in is Racal P/N 310257-001. The relay used on the 1260-155A and 1260-155AT plug-in is Racal P/N 310305. The manufacturer's specifications for these relays are:

Life Expectancy	
Mechanical	5,000,000 operations
Electrical	100,000 operations at full rated load (resistive)

For additional relay specifications, refer to the relay manufacturer's data sheet.

Ordering Information

Listed below are part numbers for both the 1260-155 switch modules and available mating cable accessories. The 1260-155 uses up to 10 standard MCX Right Angle Plug connectors.

ITEM	DESCRIPTION	PART #
1260-155	Dual 1x4 Rf Switch Card, 1.5GHz	407815-001
1260-155T	Dual 1x4 Terminated Switch Card, 1.5GHz	407815-002
1260-155A	Dual 1x4 Rf Switch Card, 3.0GHz	407815-003
1260-155AT	Dual 1x4 Terminated Switch Card, 3.0GHz	407815-004
Shipping Kit	Cable ties and manual	407653-155
Cable Assy. 2ft, 50Ω	Single Coax Cable w/ (2) MCX R/A Plugs (can be cut and used as 2 cables)	407828-001
Cable Assy. 6ft, 50Ω	Single Coax Cable w/ (2) MCX R/A Plugs (can be cut and used as 2 cables)	407828-003
Cable Assy. 12ft, 50Ω	Single Coax Cable w/ (2) MCX R/A Plugs (can be cut and used as 2 cables)	407828-006
Additional Manual	User Manual	980824-155

INSTALLATION INSTRUCTIONS

Unpacking and Inspection



1. Before unpacking the switching module, check the exterior of the shipping carton for any signs of damage. All irregularities should be noted on the shipping bill and reported.

CAUTION

ESD sensitive devices, open the instrument at an ESD safe work station.

WARNING

The 1260-155T/AT cards is a high-frequency switch card with internal terminations. Make absolutely sure, that all the devices maximum ratings are not exceeded. Failure to observe these precautions could result in product damage.

2. Remove the instrument from its carton, preserving the factory packaging as much as possible.
3. Inspect the switching module for any defects or damage. Immediately notify the carrier if any damage is apparent.
4. Have a qualified person check the instrument for safety before use.

Reshipment Instructions

1. Use the original packing material when returning the switching module to Racal Instruments for servicing. The original shipping carton and the instrument's plastic foam will provide the necessary support for safe reshipment.
2. If the original packing material is unavailable, wrap the switching module in an ESD Shielding bag and use plastic spray foam to surround and protect the instrument.

3. Reship in either the original or a new shipping carton.

Installation

Installation of the 1260-155 Switching Module into a 1260-100 Carrier assembly is described in the Installation section of the 1260-100 Adapt-a-Switch Carrier Manual.

Module Configurations

The 1260-155 series are high frequency coaxial switch modules each containing two 1x4 RF multiplexers. The 1260-155 and 1260-155A are simple RF trees, where channel 0 in each multiplexer is normally connected to the COM output. The 1260-155 has a rated bandwidth of greater than 1.5 GHz where the 1260-155A has a bandwidth greater than 3 GHz. Otherwise the configurations are identical. See **Figure 2-1** for a Relay Diagram.

The 1260-155T and 1260-155AT are terminated multiplexer modules where the non-selected inputs are terminated into 1 Watt, 50 ohms SMA terminators.

If higher power terminators are needed, the installed SMA terminators can be removed and replaced with user supplied terminations, though the user is responsible for location mounting and fit issues.

The 1260-155T has a rated bandwidth in excess of 1.5 GHz and the 1260-155AT has a bandwidth above 3 GHz. See **Figure 2-2** for a Relay Diagram.

Front Panel Cable Clamp and PCB Connectors

The 1260-155 Series uses ten MCX PCB mounted jack connectors as the module interface. The channel designations are silk screened on the PCB, next to the connectors, as shown in **Figures 2-3 and 2-4**. **Table 2-1** shows the mapping of I/O connections to channel numbers and **Figure 2-5** shows a block diagram of the 1260-155.

The 1260-155 uses a cable clamp at the Front Panel to secure the coax cables which route the signals to the 1260-155 as shown in **Figure 2-6**. The three screws that hold down the cable clamp must be removed prior to connecting to the 1260-155. The interfacing connectors are attached to the 1260-155 and the cables are routed out through the Front Panel. After all the connections are made and the cables routed through the Front Panel. The cable clamp can be attached with the three screws that were removed previously. In addition, cable ties and adhesive clamps are provided as part of the 1260-155 Shipping Kit to help hold the interface cables in place.

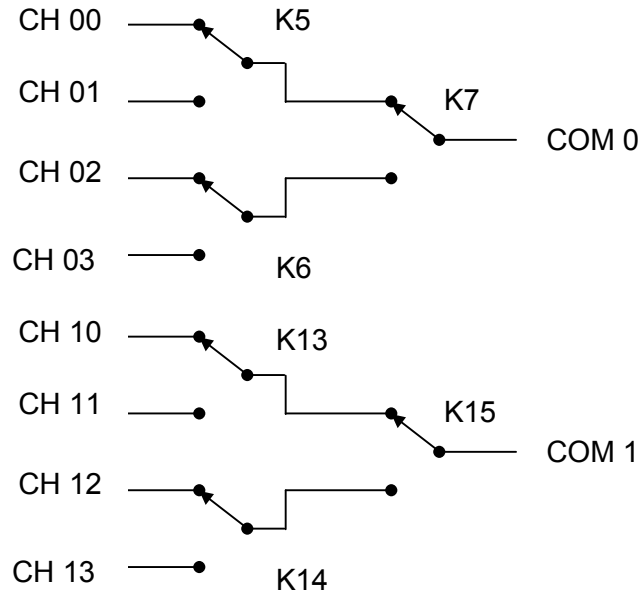


Figure 2-1, 1260-155 and 1260-155A

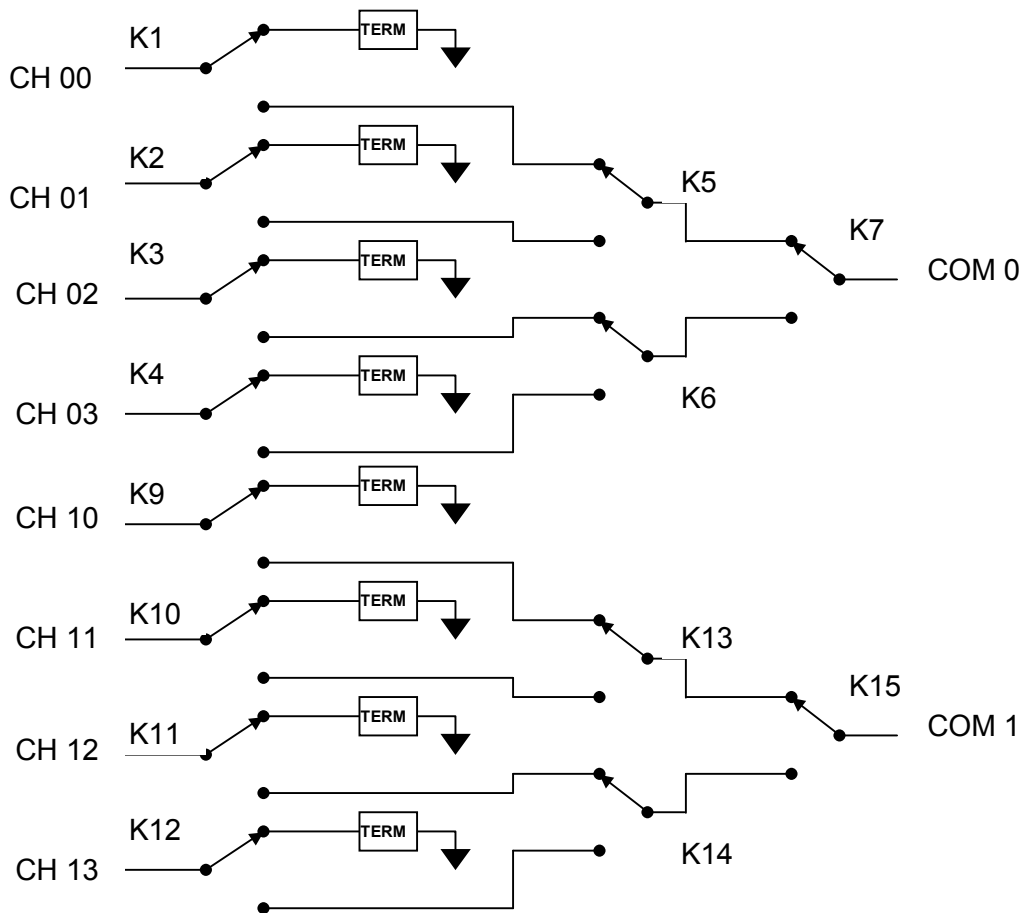


Figure 2-2, 1260-155T and 1260-155AT

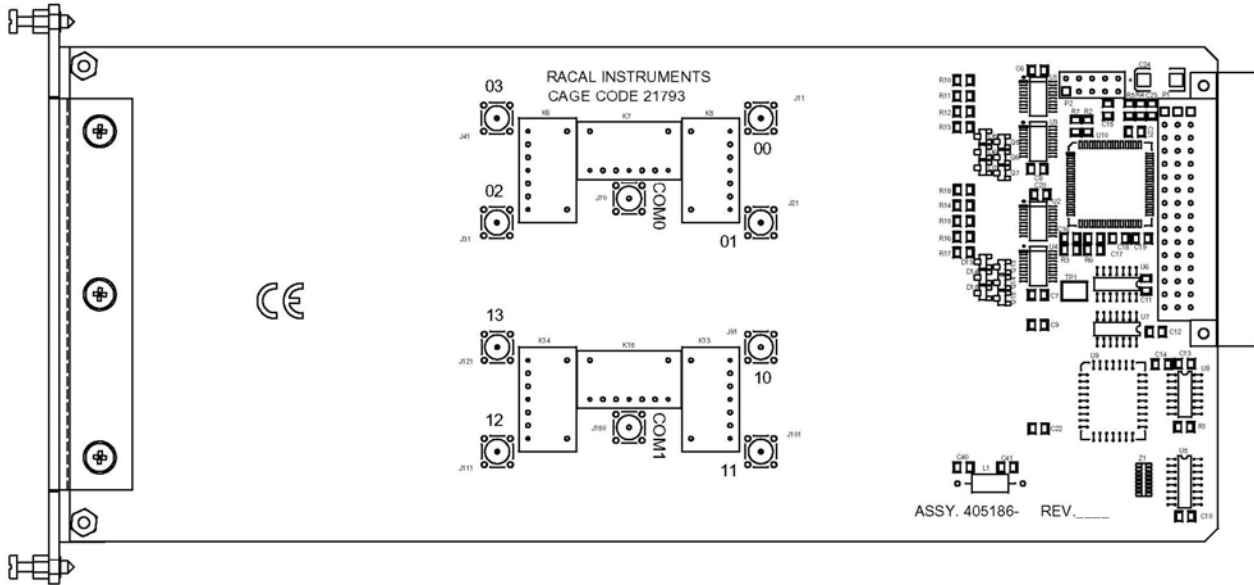


Figure 2-3, 1260-155, -155A-Channel Designations

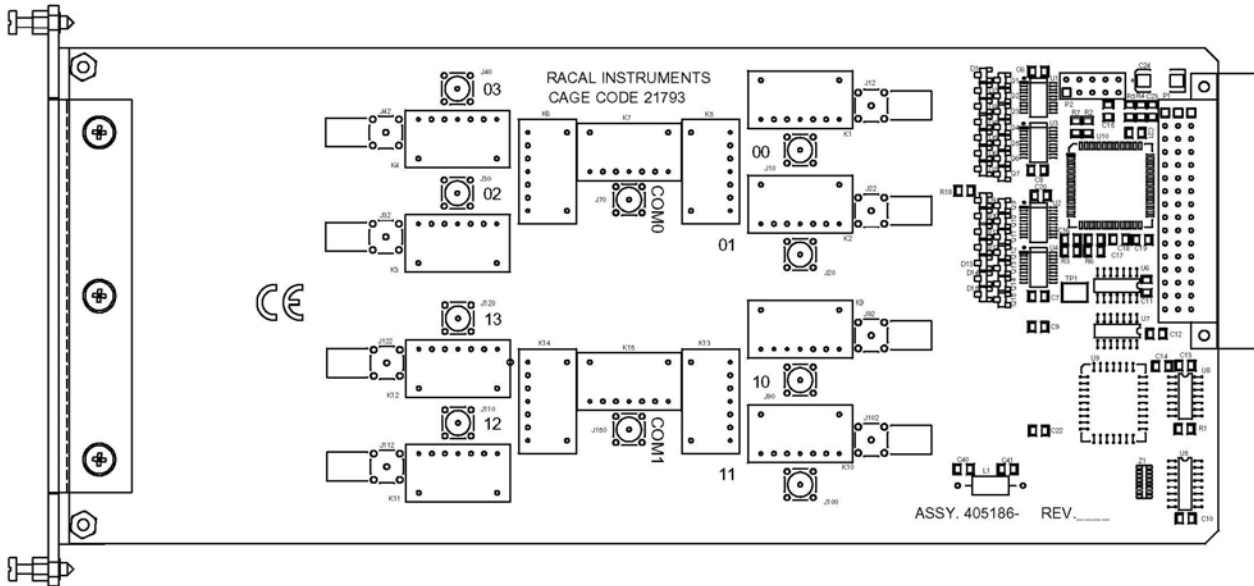


Figure 2-4, 1260-155T, -155AT, Channel Designations

Table 2-1, 1260-155 I/O Connections

Channel Number	In	Out
00	00	COM0
01	01	COM0
02	02	COM0
03	03	COM0
10	10	COM1
11	11	COM1
12	12	COM1
13	13	COM1

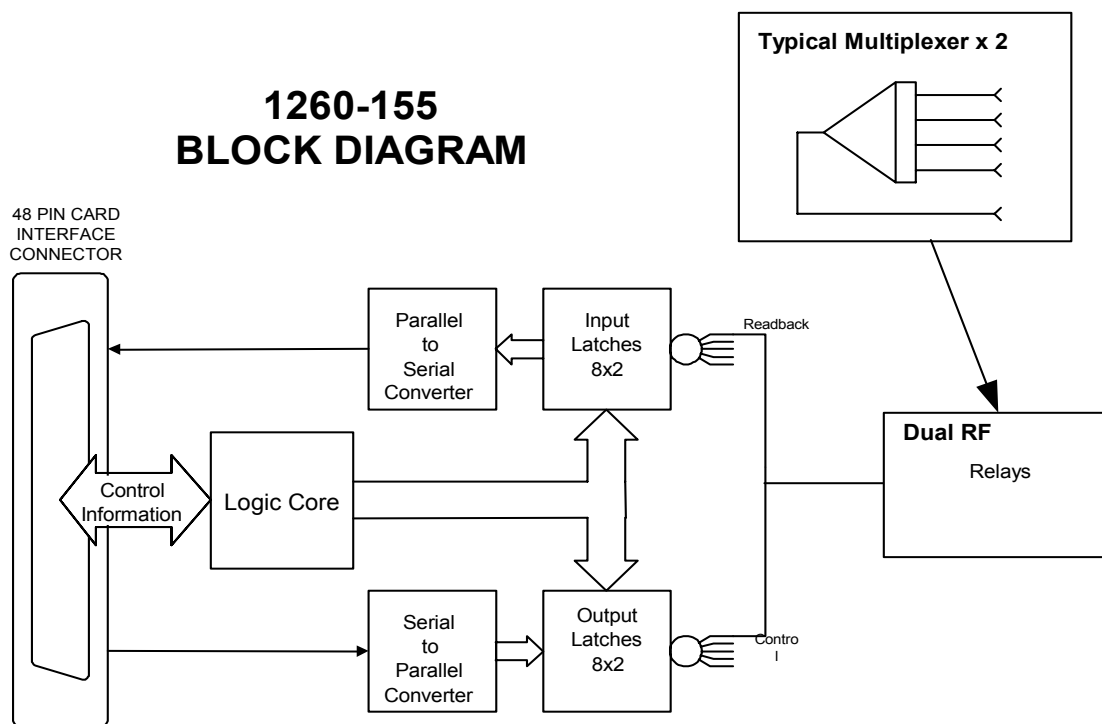


Figure 2-5, Block Diagram

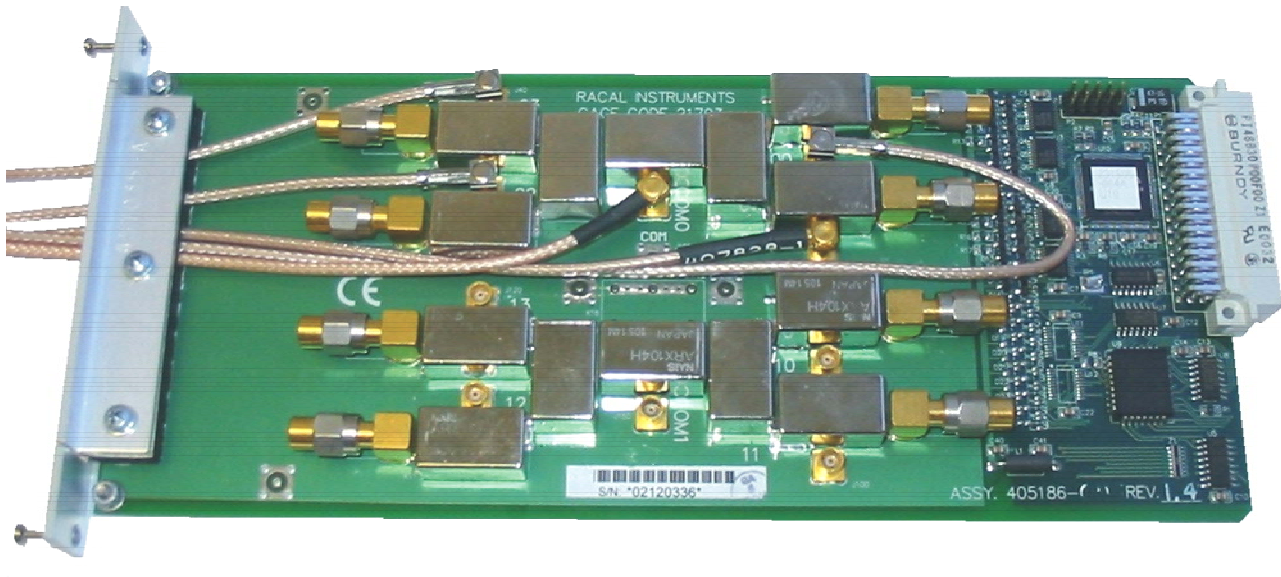


Figure 2-6, Front Panel Cable Clamp

Mating Connectors

The 1260-155 uses standard MCX right angle plugs for mating connectors.

Mating connectors and cables are not provided as part of the 1260-155 Shipping Kit. Mating Cable assemblies must be ordered separately. Refer to the Ordering Information section of this manual.

If the user chooses to build his own cables, Standard MCX right angle plug mating connectors for coax cable may be used

Setting the Module Address

Both the Racal Instruments Option-01T and 1256 switch controllers identify each Adapt-a-Switch plug-in by a *module address* that is unique to that module.

For setting the module address of the 1260-155 refer to one of the following manuals.

- 1260-100 Adapt-a-Switch Manual – Publication No. 980824-100
- 1256 User Manual – Publication No. 980855

1256 Operation

For a detailed description of the use of the 1260-155 when they are being used in a 1256 Switch Controller, refer to the 1256 User Manual (P/N 980855).

VXI Operating Modes

The 1260-155 may be operated either in *message-based* mode or in *register-based* mode when used with an Adapt-a-switch Carrier in a VXI chassis.

In the *message-based* mode, the 1260-01T switch controller interprets commands sent by the slot 0 controller, and determines the appropriate data to send to the control registers of the 1260-155 module.

A conceptual view of the message-based mode of operation is shown in **Figure 3-1** below.

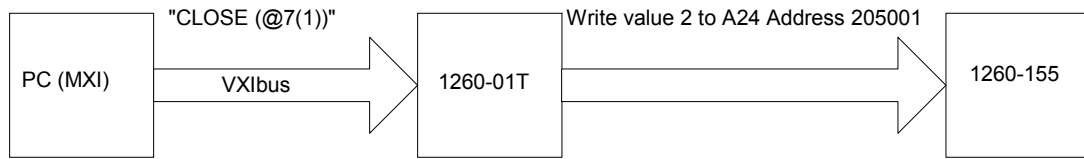


Figure 3-1, Message-Based Mode of Operation

In the *register-based* mode, the user writes directly to the control registers on the 1260-155 module. The 1260-01T command module does not monitor these operations, and does not keep track of the relay states on the 1260-155 module in this mode.

A conceptual view of the register-based mode is shown in **Figure 3-2** below.

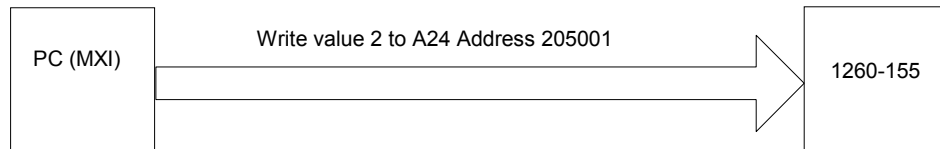


Figure 3-2, Register-Based Mode of Operation

Since the 1260-01T switch controller does not keep track of relay states during the register-based mode, it is advisable to use **either** the message-based or the register-based mode, and continue to use the same mode throughout the application program.

In general, the message-based mode of operation is easier to use with utility software such as the National Instruments VXI Interactive Control (VIC) program. The message-based mode allows the user to send ASCII text commands to the 1260-01T and to read replies from the 1260-01T. In addition, some features, such as the SCAN list, are available only in the message-based mode of operation.

The register-based mode provides faster control of relay channels. In this mode, relay operations are processed in less than 9

microseconds, not counting relay settling time or software overhead inherent in I/O libraries such as VISA. To determine the relay settling time, refer to Relay Settling Time in the Specifications section.

Consult the 1260-01T User's Manual for a comparison of the message-based and register-based modes of operation.

Operating In VXI Message-Based Mode

Channel Descriptors For The 1260-155

The standard 1260-01T commands are used to operate the 1260-155 module. These commands are described in the 1260-01T User's Manual.

Each 1260-01T relay command uses a *channel descriptor* to select the channel(s) of interest. The syntax for a channel descriptor is the same for all 1260 series modules. In general, the following syntax is used to select a single channel:

```
(@ <module address> ( <channel range> ) )
```

Where:

- <module address> is the address of the 1260-155 module. This is a number in the range from 1 through 12, inclusive.
- <channel range> is a list of <channels> to operate.

When listing multiple channels, separate the channels with a comma (.). To select a contiguous range of channels, specify the first and last channels, and separate them by a colon (:)

- <channels> are defined by <mux> <sel>. Each channel is a two digit number specifying the multiplexer <mux> and the selected channel <sel> of the mux.
- <mux> valid designations are:
 - 0 or 1
- <sel> there are four valid selected inputs designated:
 - 0, 1, 2, or 3

The following examples illustrate the use of the channel descriptors for the 1260-155, with a module address of 8.

OPEN (@8(00))	Open channel 0 on the 1260-155.
OPEN (@8(10))	Open channel 10 on the 1260-155.
CLOSE (@8(02))	Close channel 02 on the 1260-155.
CLOSE (@8(01,13))	Close channels 01 and 13 on the 1260-155.

Note: there can only be one selected input for each multiplexer. For example, if channel 01 is closed and channel 02 is commanded to close channel 01 will open by default.

Reply To The MOD:LIST? Command

The 1260-01T returns a reply to the MOD:LIST? command. This reply is unique for each different 1260 series switch module. The syntax for the reply is:

<module address> : <module-specific identification string>

The <module-specific identification string> for the 1260-155 are:

1260-155 DUAL 1X4 RF MUX

or

1260-155A DUAL 1X4 UHF MUX

or

1260-155T DUAL 1X4 RF MUX WITH
TERMINATION

or

1260-155AT DUAL 1X4 UHF MUX WITH
TERMINATION

So, for a 1260-155 whose <module address> is set to 8, the reply to this query would be:

8 : 1260-155 DUAL 1X4 RF MUX

Operating in VXI Register-Based Mode

In register-based mode, the 1260-155 is operated by directly writing and reading control registers on the 1260-155 module. The first control register on the module operates control bits 0 through 7. The second control register operates control bits 8 through 15. When a control register is written to, all channels controlled by that register are operated simultaneously.

The control registers are located in the VXIbus A24 Address Space. The A24 address for a control register depends on:

1. The A24 Address Offset assigned to the 1260-01T module by the Resource Manager program. The Resource Manager program is provided by the VXIbus slot-0 controller vendor. The A24 Address Offset is placed into the "Offset Register" of the 1260-01T by the Resource Manager.
2. The <module address> of the 1260-155 module. This is a value in the range from 1 and 12 inclusive.
3. The 1260-155 control register to be written to or read from. Each control register on the 1260-155 has a unique address.

The base A24 address for the 1260-155 module may be calculated by:

$$(A24 \text{ Offset of the } 1260-01T) + (1024 \times \text{Module Address of } 1260-155).$$

The A24 address offset is usually expressed in hexadecimal. A typical value of 204000_{16} is used in the examples that follow.

A 1260-155 with a module address of 7 would have the base A24 address computed as follows:

$$\text{Base A24 Address of } 1260-155 = 204000_{16} + (400_{16} \times 7_{10}) = 205C00_{16}$$

The control registers for Adapt-a-Switch plug-ins and conventional 1260-Series modules are always on odd-numbered A24 addresses. The three control registers for the 1260-155 reside at the first three odd-numbered A24 addresses for the module:

$$(\text{Base A24 Address of } 1260-155) + 1 = \text{Control Register 0}$$

$$(\text{Base A24 Address of } 1260-155) + 3 = \text{Control Register 1}$$

So, for our example, the three control registers are located at:

205C01 Control Register 0, controls bits 0 through 7.

205C03 Control Register 1, controls bits 8 through 15.

Table 3-1 shows the bit and relay assignments for each control register.

Table 3-1, Control Register/Relay Assignments

Control Register	Relays							
	Bit 7 (MSB)	Bit 6	Bit 5	Bit 4	Bit 3	Bit 2	Bit 1	Bit 0 (LSB)
0	Not used	7	6	5	4	3	2	1
1	Not used	15	14	13	12	11	10	9

Setting a control bit to 1 closes the corresponding relay, and clearing the bit to zero opens the corresponding relay. Thus, if you write the value 1000 0101 binary = 133 decimal = 85 hexadecimal to Control Register 0, relays 0, 2, and 7 will close, while channels 1, 3, 4, 5, and 6 will open.

The present control register value may be read back by reading an 8-bit value from the control register address. **The value is inverted.** In other words, the eight-bit value read back is the one's complement of the value written.

If you want to change the state of a single relay without affecting the present state of the other relays controlled by the control register, you must:

1. Read the control register.
2. Invert the bits (perform a one's complement on the register data).
3. Perform a bit-wise AND operation, leaving all but the specific control register bit for the relay to change.
4. **To open:** continue to step 5. **To close:** OR in the bit for the relay to close.
5. Write the modified value back to the control register.

For example, to close channel 13:

1. Read Control Register 1 (this register controls channels 8 through 15, with channel 8 represented by the LSB).
2. Invert the bits in the value read in step 1.
3. AND with 1101 1111 binary (the zero is in the position corresponding to channel 13).
4. OR with 0010 0000 binary.
5. Write the value to Control Register 1.

In order to control the relays the user should consult the relay diagrams **Figures 2-1 and 2-2** in chapter 2 which shows the relationship between the connected paths and the associated relays.

This page was left intentionally blank.

Chapter 4

PRODUCT SUPPORT

Product Support

Racal Instruments has a complete Service and Parts Department. If you need technical assistance or should it be necessary to return your product for repair or calibration, call 1-800-722-3262. If parts are required to repair the product at your facility, call 1-949-859-8999 and ask for the Parts Department.

When sending your instrument in for repair, complete the form in the back of this manual.

For worldwide support and the office closes to your facility, refer to the Support Offices section on the following page.

Reshipment Instructions

Use the original packing material when returning the 1260-155 to Racal Instruments for calibration or servicing. The original shipping crate and associated packaging material will provide the necessary protection for safe reshipment.

If the original packing material is unavailable, contact Racal Instruments Customer Service for information.

Support Offices

RACAL INSTRUMENTS

United States

(Corporate Headquarters and Service Center)
4 Goodyear Street, Irvine, CA 92618
Tel: (800) 722-2528, (949) 859-8999; Fax: (949) 859-7139

5730 Northwest Parkway Suite 700, San Antonio, TX 78249
Tel: (210) 699-6799; Fax: (210) 699-8857

Europe

(European Headquarters and Service Center)
18 Avenue Dutartre, 78150 LeChesnay, France
Tel: +33 (0)1 39 23 22 22; Fax: +33 (0)1 39 23 22 25

29-31 Cobham Road, Wimborne, Dorset BH21 7PF, United Kingdom
Tel: +44 (0) 1202 872800; Fax: +44 (0) 1202 870810

Via Milazzo 25, 20092 Cinisello B, Milan, Italy
Tel: +39 (0)2 6123 901; Fax: +39 (0)2 6129 3606

Technologie Park, Friedrich Ebert Strasse, 51429 Bergisch Gladbach,
Germany
Tel: +49 (0) 2204 844200; Fax: +49 (0) 2204 844219

REPAIR AND CALIBRATION REQUEST FORM

To allow us to better understand your repair requests, we suggest you use the following outline when calling and include a copy with your instrument to be sent to the Racal Repair Facility.

Model _____ Serial No. _____ Date _____

Company Name _____ Purchase Order # _____

Billing Address _____

City

State/Province

Zip/Postal Code

Country

Shipping Address _____

City

State/Province

Zip/Postal Code

Country

Technical Contact _____ Phone Number () _____

Purchasing Contact _____ Phone Number () _____

1. Describe, in detail, the problem and symptoms you are having. Please include all set up details, such as input/output levels, frequencies, waveform details, etc.

2. If problem is occurring when unit is in remote, please list the program strings used and the controller type.

3. Please give any additional information you feel would be beneficial in facilitating a faster repair time (i.e., modifications, etc.)

4. Is calibration data required? Yes No (please circle one)

Call before shipping

Ship instruments to nearest support office.

Note: We do not accept
"collect" shipments.